



ELKA HOUSINGS

MADE OF ALUMINIUM



HIGH QUALITY AND
TESTED SAFETY



COMFORTABLE OPERATION
AND EASY INSTALLATION



ROBUST, DURABLE
AND RELIABLE

ELKA

Aluminium-housings PKW 1200-v2.0

The high-quality aluminum housing offers plenty of space for additional installations, additional service doors, optional modern LED lighting and makes on-site installation easier in a completely new way. A flexible concept with modular design and clear cable management.



Comfortable

- ✓ Simple cable management via clips, which can be repositioned variably on the corner profiles without tools
- ✓ One-hand locking of the removable cover
- ✓ Mounting plate can be variably positioned on the corner profiles on site

Additional installations

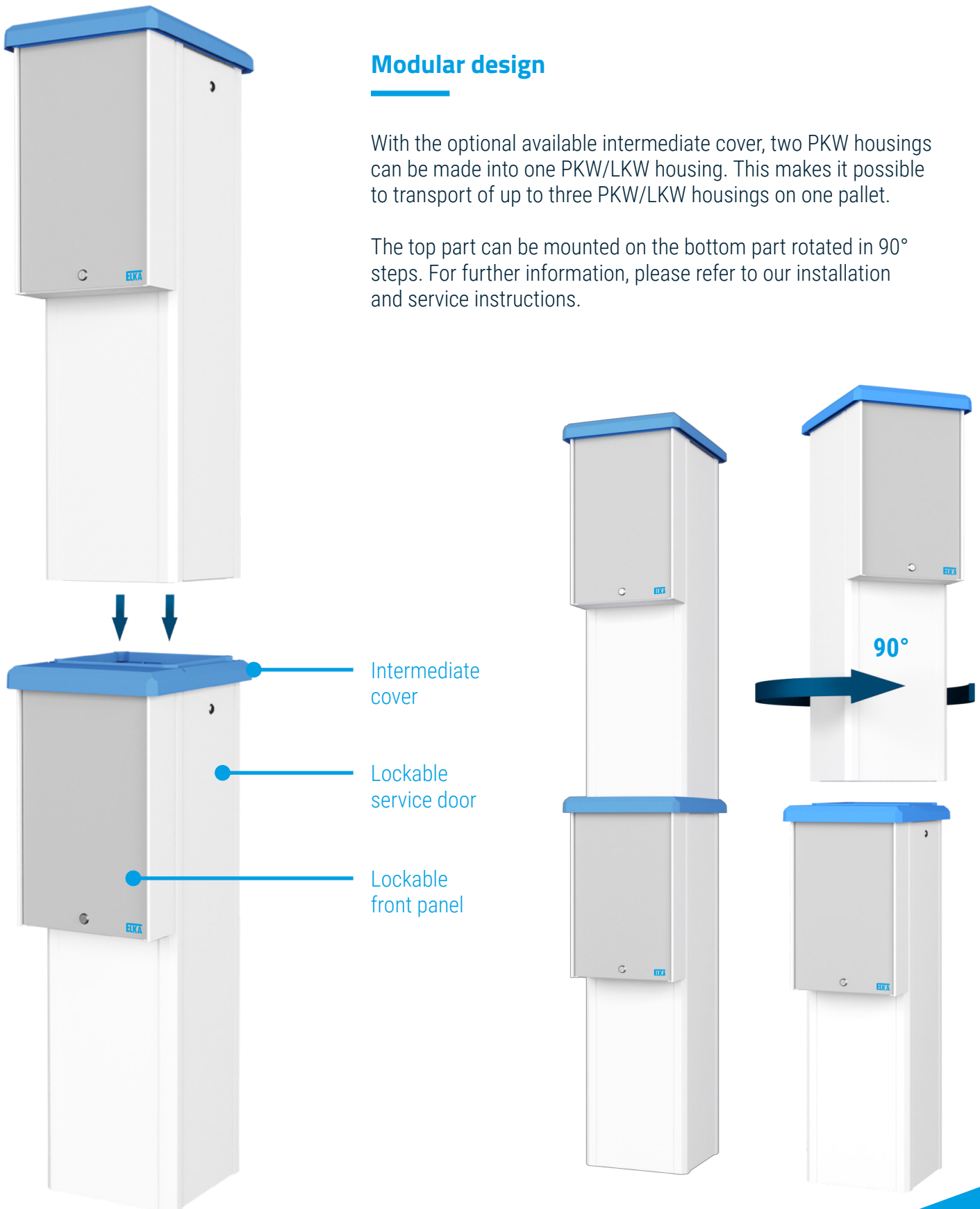
- ✓ Plenty of space for additional installations (assembly dimensions per PKW housing (W x D x H) 250 x 400 x 450 mm)
- ✓ Installation through removable front panel (lockable), lateral access door (lockable) or removable hood
- ✓ Optional installation service for ELKA products, as well as for provided accessories
- ✓ Optional shelf installed

Aluminium-housings PKW/LKW 2400-v2.0

Modular design

With the optional available intermediate cover, two PKW housings can be made into one PKW/LKW housing. This makes it possible to transport of up to three PKW/LKW housings on one pallet.

The top part can be mounted on the bottom part rotated in 90° steps. For further information, please refer to our installation and service instructions.





Service door

- ✓ The position of the door can be optionally determined when ordering (for the PKW/LKW housing, the door of the top part cannot be placed above the front panel of the bottom part)
- ✓ Standard on the left side (view from the front)



LED lighting

- ✓ Optional LED lighting with low power consumption
- ✓ Lighting in warm white, cool white or RGB (red / green / blue) possible



Custom colors

- ✓ Optionally available in all RAL custom colors
- ✓ Standard colors: Housing RAL-9010 (white) / Hood RAL-5012 (blue) / Front panel RAL-7035 (light gray)



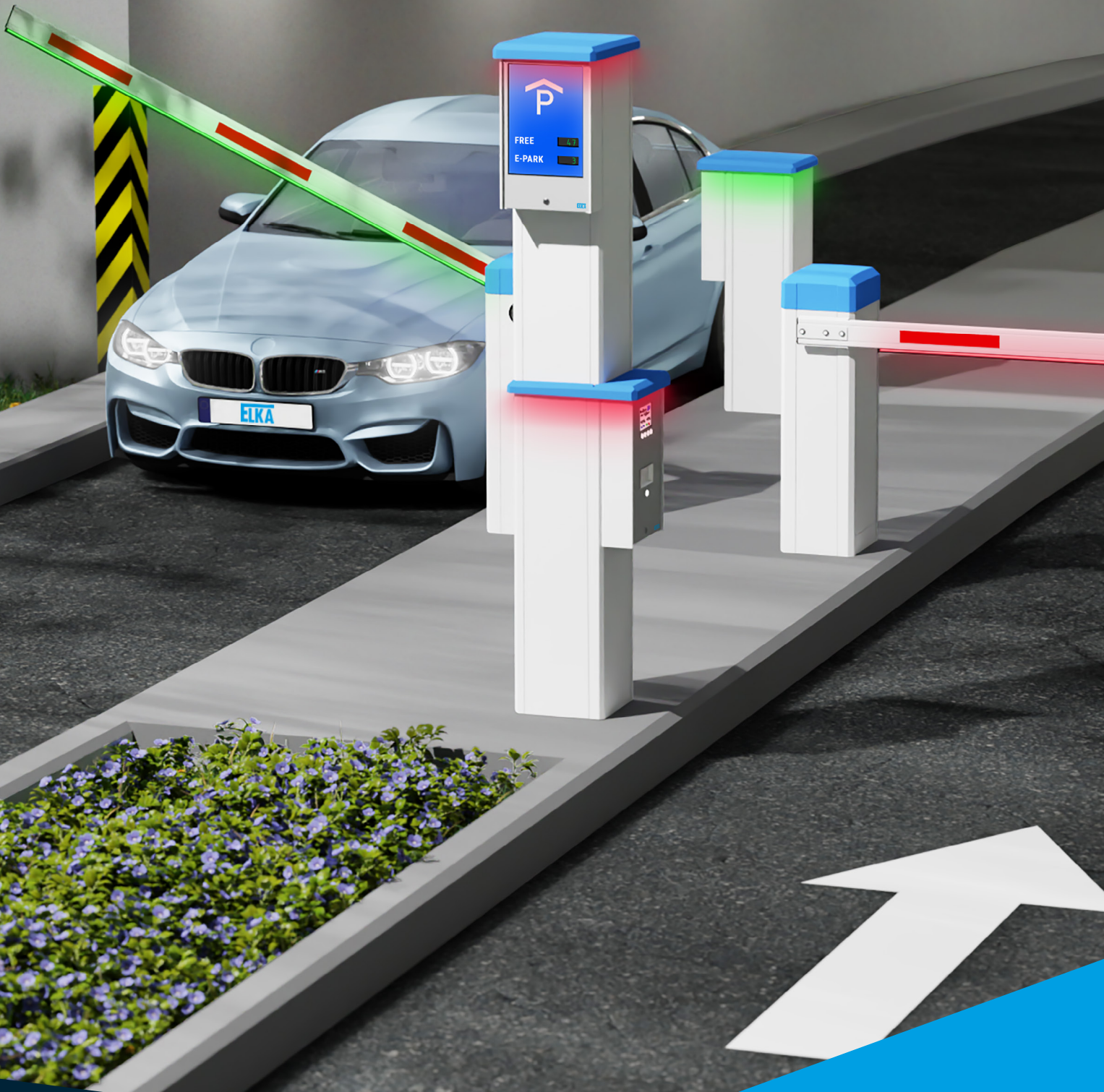
Convenient shipping

- ✓ Up to six PKW housings or up to three PKW/LKW housings stackable on one EURO pallet

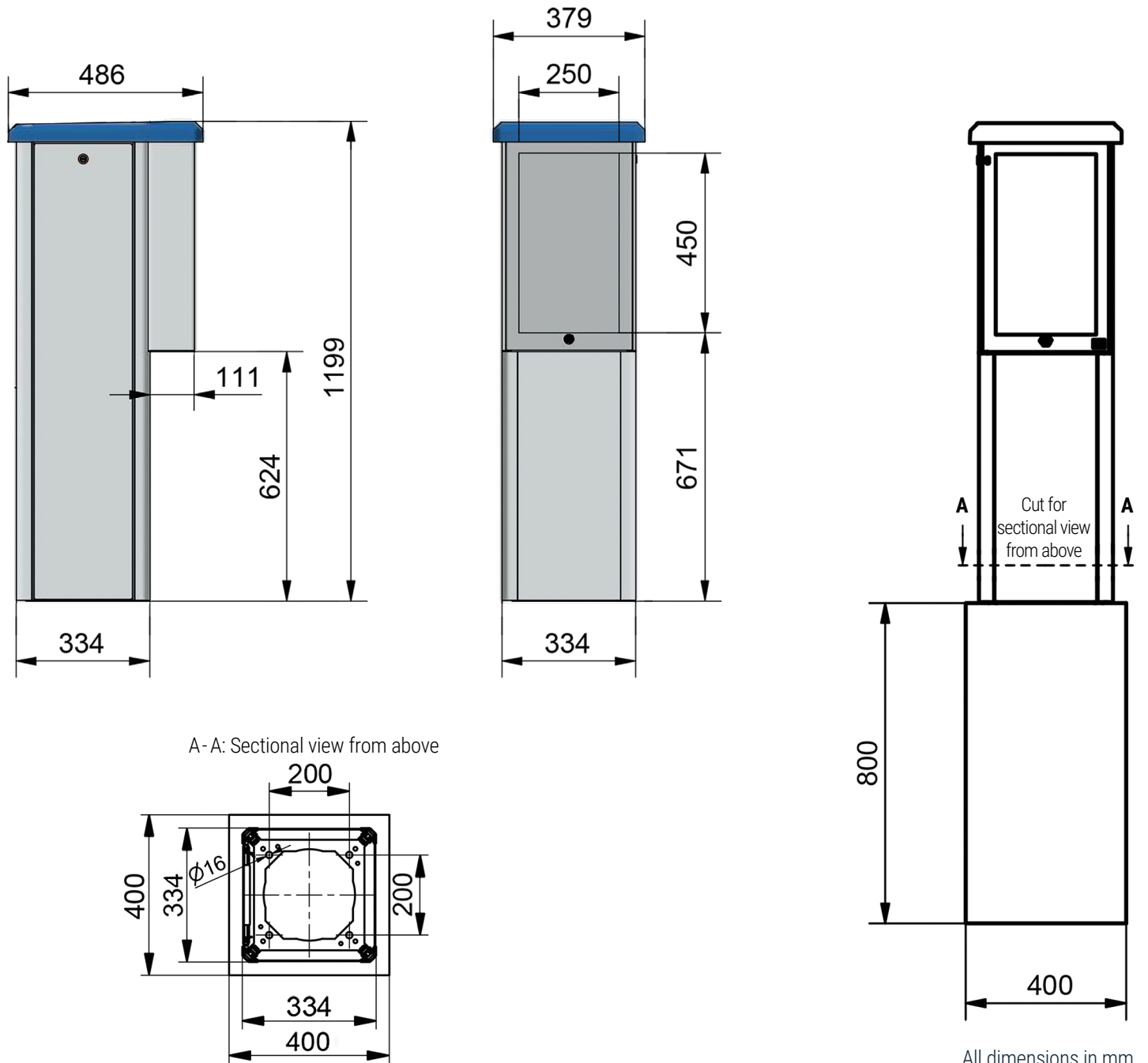
Application example



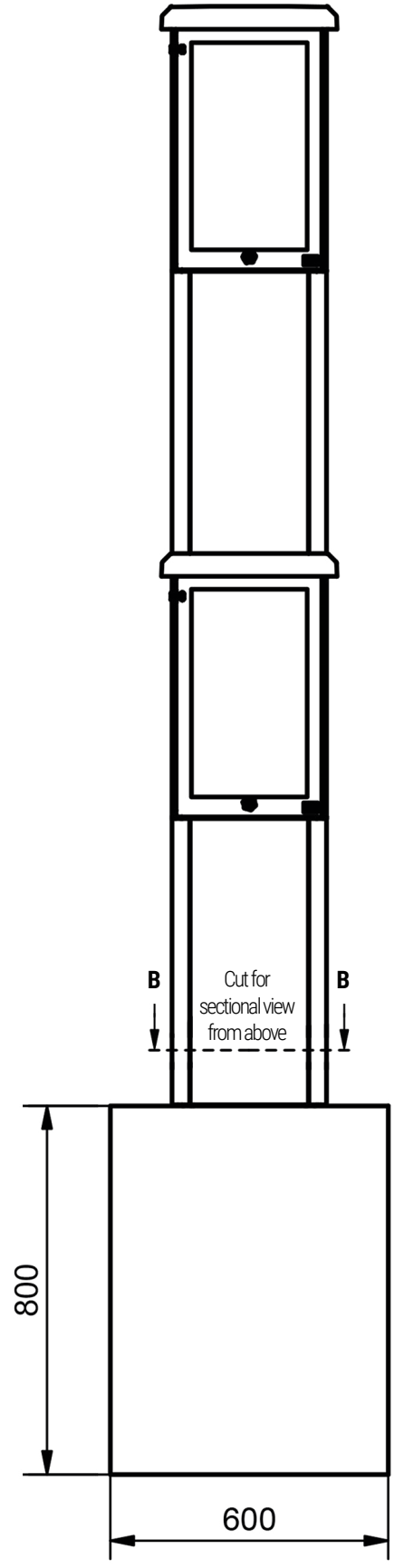
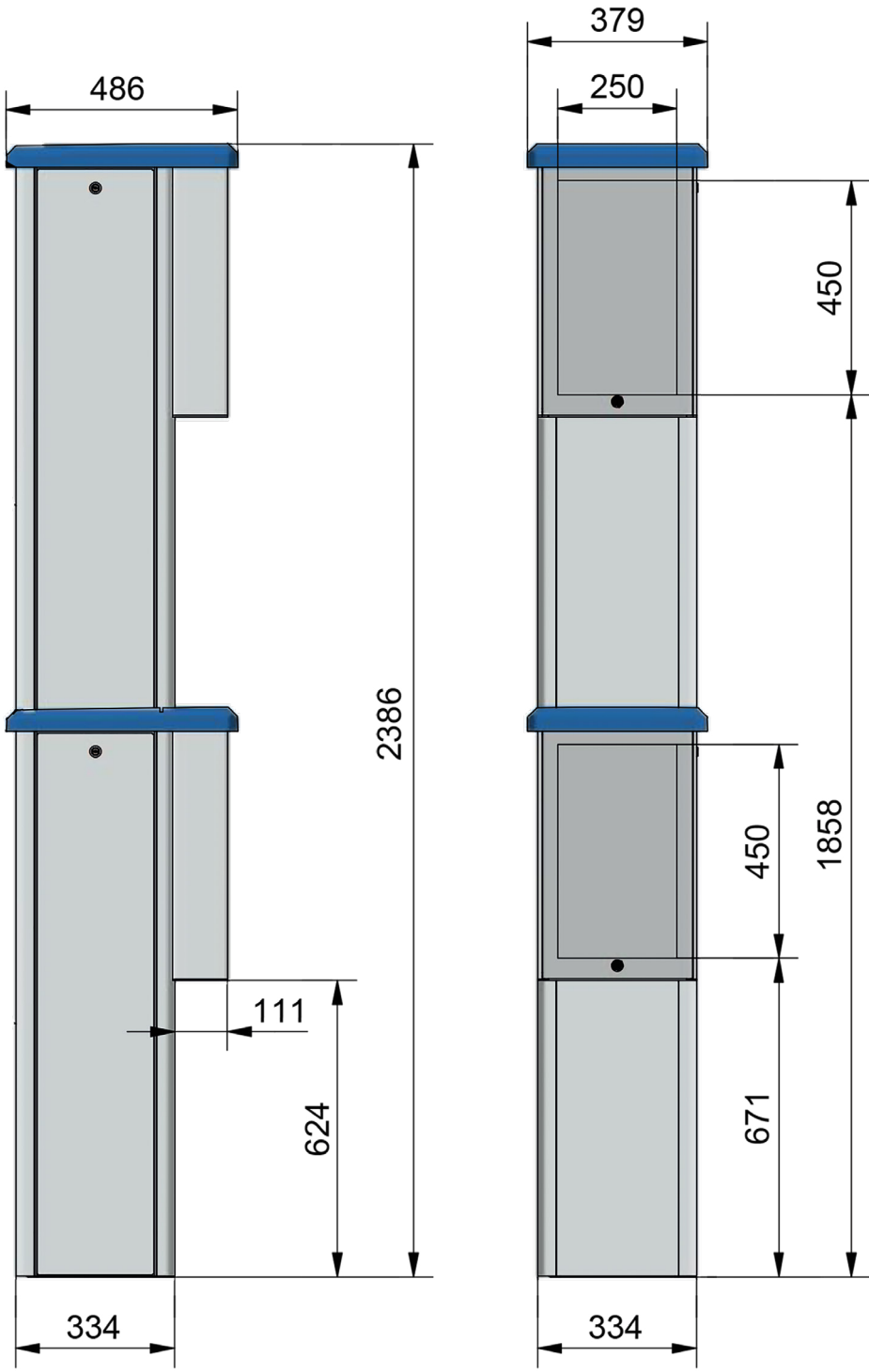
EXIT



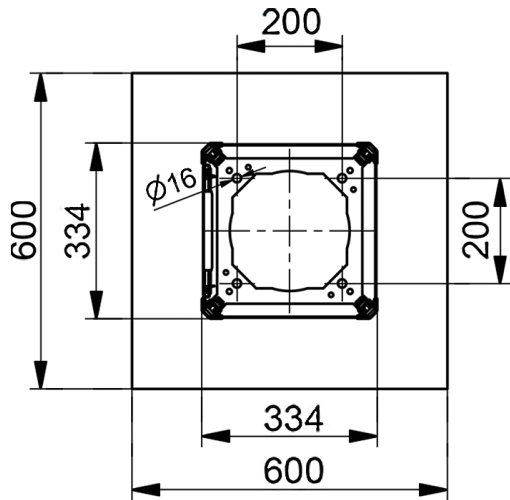
Technical data	Aluminium-housing PKW 1200-v2.0	Aluminium-housing PKW/LKW 2400-v2.0
Dimensions max. (W x D x H) in mm	379 x 486 x 1,200	379 x 486 x 2,386
Assembly dimensions (W x D x H) in mm	250 x 400 x 450	each 250 x 400 x 450
Weight in kg	30.5	60
Service door	Standard on the left side (view from the front)	
Degree of protection	IP 54	
Material	Housing: aluminium, powder-coated Base plate: steel, hot-dip galvanized	
Colours	Housing RAL-9010 (white) / Cover RAL-5012 (blue) / Front plate RAL-7035 (light grey), optionally available in all RAL custom colors	
Accessories (optional)	LED lighting under the hood, clips for variable cable routing, power supply	



All dimensions in mm.



B-B: Sectional view from above




All dimensions in mm.



ELKA-Torantriebe GmbH u. Co. Betriebs KG

Dithmarscher Str. 9, 25832 Tönning / Germany

 **info@elka.eu**

 **+49(0)4861-9690-0**

 **www.elka.eu**

 **+49(0)4861-9690-90**